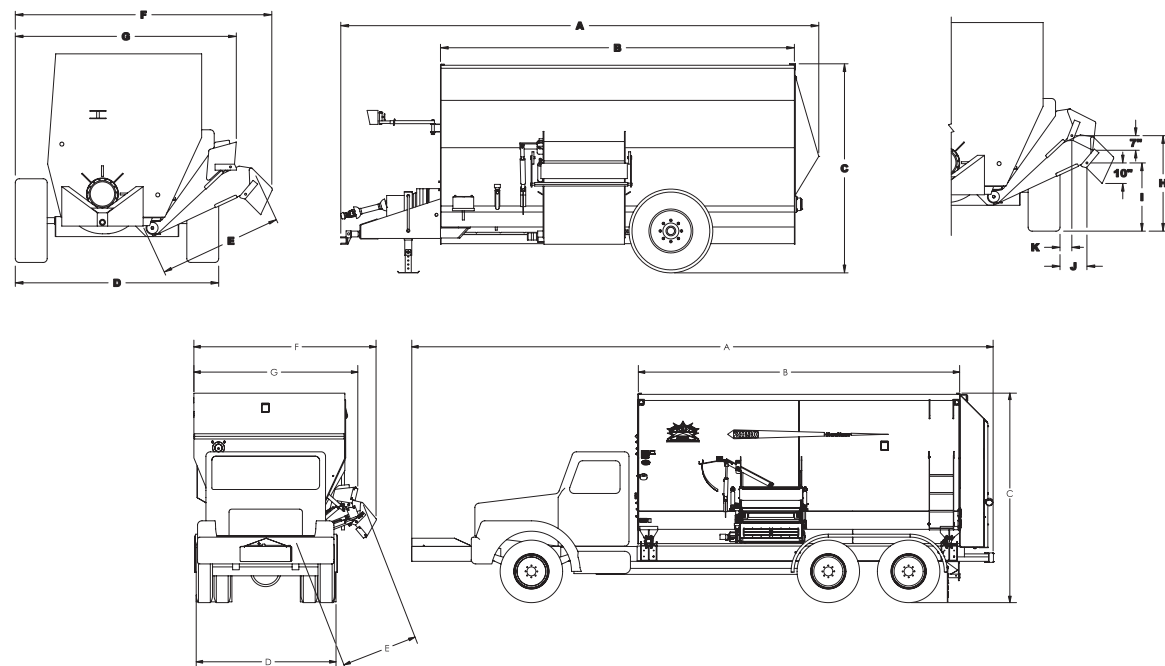




MaxiMixer 2000 Series  
Feed Mixers



### MaxiMixer 2000 Series Specifications

MODEL	2315	2050		2070		2090
DIMENSIONS (inches)	TR	TR	TK	TR	TK	TK
A Overall Length	200	249	302	308	373	392
B Mixing Chamber Length	150	168	168	216	216	216
C Overall Height <sup>1,2</sup>	97/103	101	124	122	122	140
D Tread Width	82	96	92	96	102	102
E Discharge Length	62	62	62	62	62	62
F Operating Width (Max)	123	126	125	130	130	130
G Transport Width (Max)	111	110	109	115	117	117
H Discharge Height (Max)	50	46	70	72	46	46
I Discharge Height (Min)	35	33	56	57	63	63
J Discharge Reach (Max)	46	18	21	20	18	18
K Discharge Reach (Min)	37	11	14	15	13	13
SPECIFICATIONS						
Unit Weight (pounds)	7220	13500		18000		18100
Max Net Load (pounds)	9450	15240		21000		27720
Mixing Capacity CF/BU	315/252	508/406		700/562		924/740
Upper Auger Flighting Thickness	1/2"	1/2"		1/2"		1/2"
Lower Auger Paddle Thickness	NA	5/8"		5/8"		5/8"
Floor & End Panel Thickness	5/16"	5/16"		5/16"		5/16"
Side Panel Thickness	3/16"	3/16"		1/4"		1/4"
Stainless Steel Liner Thickness	1/8"	1/8"		1/8"		1/8"
PTO Speed	540	540		1000	Hydro	Hydro
Driveline Protection	Shear Pin	Shear Pin		Shear Pin	Relief Valve	Relief Valve
Horsepower Requirements	60	90		180	300+	300+

<sup>1</sup> Model 2315 has two axle mounts. When axle is mounted in second hole, all height dimensions are raised 6 inches.

<sup>2</sup> Truck dimensions based on 38 inch truck frame height.

All dimensions and specifications are approximate and subject to change without notice.



# MaxiMixer

*2000 Series Feed Mixers*

**315 - 924 Cubic Foot Sizes**



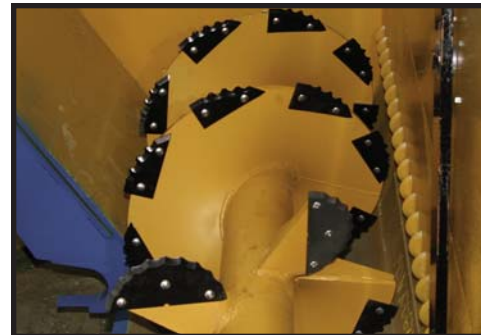
Sioux Automation Center, Inc.  
Sioux Center, Iowa  
866-722-1488  
www.siouxautomation.com



# MaxiMixer Feed Mixer

## T.M.R. FEED MIXERS

- Low Maintenance Planetary Drive with Fewer Moving Parts
- Mixes Anything from Concentrates to a 100 % Hay Ration
- Durable, Dependable and Hard working
- Produces one of the most Uniform and Thorough Total Mixed Rations available.



The knives of the MaxiMixer's augers create a scissor like cutting action, cutting long stem hay to any length depending on how long the load is allowed to mix.

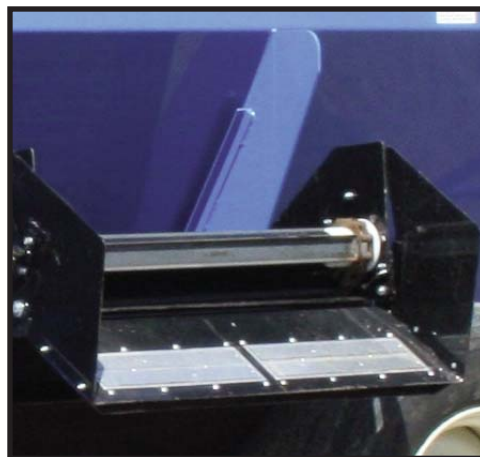


MaxiMixer Feed Mixers process long stem hay quickly and completely using either a single auger or two augers depending on the size of the mixer

## MaxiMixer 2000 Series Feed Mixers

MaxiMixer 2000 Series Feed Mixers are available in sizes from 315 to 924 cubic foot sizes. Units feature rugged unibody construction with 5/16 belly and end panel thickness. MaxiMixer 2000 Series Mixers are designed to meet the needs of today's top producers, whatever the feed ration to be mixed. MaxiMixer 2000 Series Feed Mixers are available in trailer and truck mounted styles.

### Chain & Slat Style Discharge



Heavy duty chain and slat style discharge available in various of lengths to accomadate bunker or ground feeding. Magnets are available for all models to minimize hardware in the ration.

# 2000 Series Mixers



2315 MaxiMixer 315 c.f. Feed Mixer



2050 MaxiMixer 500 c.f. Feed Mixer



### Scale Systems

MaxiMixer 2000 Series Feed Mixers use the latest in scale technology from Weigh-Tronix and Digi-Star scale systems.



### Finger Tip Controls

Comfortable, easy to use controls are at the operator's finger tips with the MaxiMixer's control console. The toggle switches provide complete control of the door and discharge.



### Quality Rations

The design of the MaxiMixer 2000 Series Mixer provides a thorough and efficient blend of ingredients in most common beef and dairy rations.

