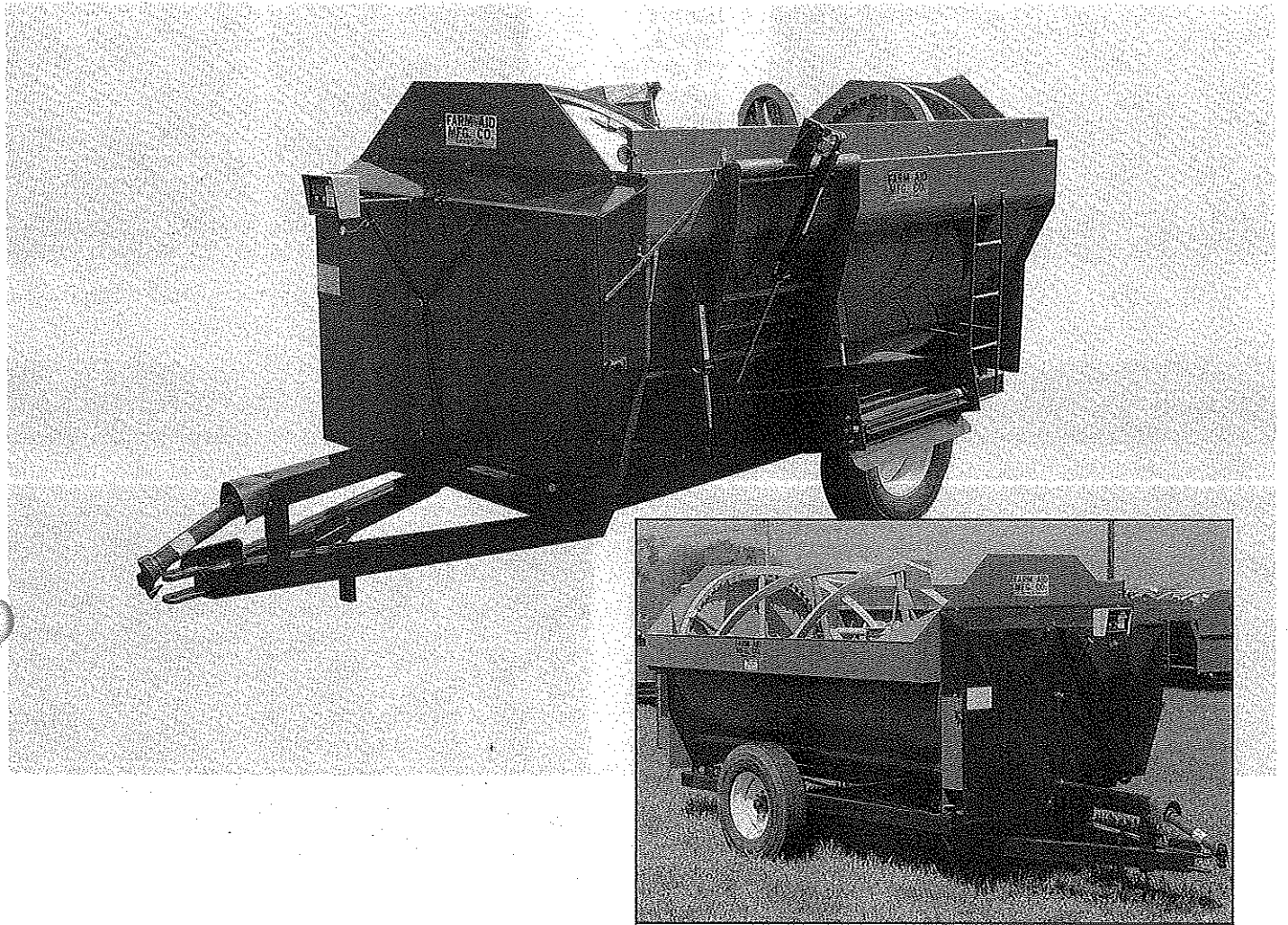


FARM AID MIXER



THE FIRST TUMBLER TYPE MIXER ON THE MARKET

Now redesigned and improved to perform even better!

The Farm Aid Mixer-feeder wagon was the only tumbler mixer in the U.S. when designed in 1966. Today several companies are following this principle, but the Farm Aid remains in the lead in simplicity of design and overall performance.

- Three portable models (tractor drawn or truck mounted) to fit the needs of small to medium size feeders or large feeding operations.
- Low horsepower requirements for smaller tractors. Also less wear.
- Small stationary models for fixed feeding systems (requires 5 H.P. electric)

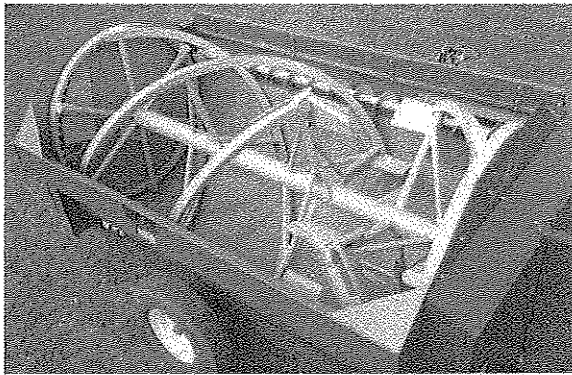
FARM AID MFG. CO.
P.O. Box 54
Corsica, SD 57328
Ph. 605-946-5479

DISTRIBUTED BY:

Sloux Automation Center, Inc.
Ph. 712-722-1488
877 1st Avenue Northwest
Sloux Center, Iowa 51250

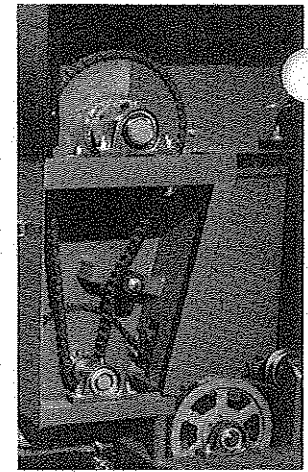
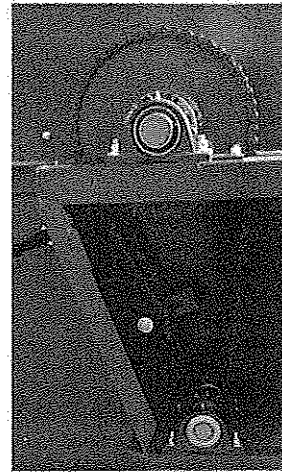
FARM AID MIXER

- Simple yet rugged spiral tumbles and augers ingredients to produce a good fluffy feed.
- Side leveling auger enhances end mix.
- No worry about overmixing or mushing feed.



- Quick.
- Thorough.
- No dead spots.
- Handles haylage, ground hay without packing or wedging.
- Spring-loaded paddles to prevent jamming.

Heavy duty shafts and bearings



- Driven from both ends preventing twisting & strain.
- Simple belt and chain drive.

**ALL SHAFTS, BEARINGS, CHAINS ARE POPULAR SIZES.
REPLACEMENT PARTS READILY AVAILABLE. EASY TO SERVICE.**



250 - 340 - 430 Models

- Low loading height can be loaded with skid loader.
- Open spiral design for easy entrance of ingredients.
- Hinged swing out shields.
- Heavy duty trailer.
- Features door indicator.
- Hydraulic controls (Optional self contained available).
- Electronic scales available.
- Swing around scale mount.

SPECIFICATIONS HEAVY 10 GAUGE STEEL CONSTRUCTION

| | MODEL 250 180 Bu. Mixing Capacity 6' x 9' — 254 Cubic Feet | MODEL 340 230 Bu. Mixing Capacity 6' x 12' — 340 Cubic Feet | MODEL 430 300 Bu. Mixing Capacity 6' x 15' — 424 Cubic Feet |
|-------------------|---|--|--|
| Overall Length | 14' 1" | 18' 3" | 21' 3" |
| Overall Width | 8' 8" | 8' 8" | 9' 3" |
| Overall Height | 7' 9" | 8' 2" | 8' 2" |
| Loading Height | 6' 2" | 6' 7" | 6' 7" |
| Final Drive | #80 Roller Chain | #80 Roller Chain | #80 Roller Chain |
| Spindles & Hubs | 2 $\frac{3}{8}$ ", 6000 Lb. | 2 $\frac{3}{8}$ ", 6000 Lb. | 3", 9000 Lb. |
| Augers | 9", $\frac{3}{8}$ " Flighting | 9", $\frac{3}{8}$ " Flighting | 9", $\frac{3}{8}$ " Flighting |
| Main Shaft | 2 $\frac{1}{16}$ " Stress Proof | 2 $\frac{1}{16}$ " Stress Proof | 2 $\frac{1}{16}$ " Stress Proof |
| Final Drive Shaft | 2 $\frac{3}{16}$ " Stress Proof | 2 $\frac{3}{16}$ " Stress Proof | 2 $\frac{3}{16}$ " Stress Proof |

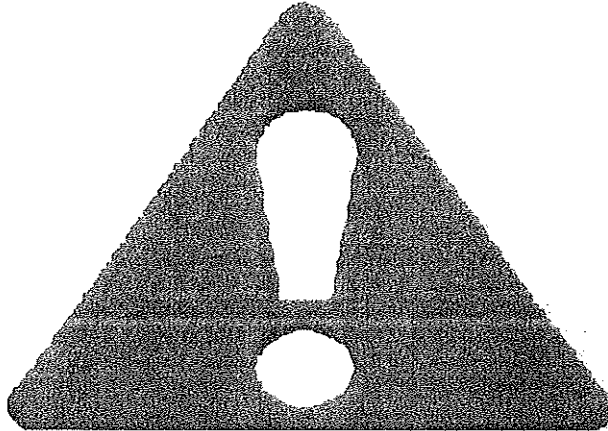
FARM AID MANUFACTURING
Feed Mixer Wagon

Models 250, 340 and 430

CONTENTS

| | |
|---|---------|
| Contents | i |
| Safety notice | ii |
| Limited Guarantee & Warranty | iii |
| Maintenance instructions | 1 |
| Parts Illustrations | |
| Right front -- speed reduction & tumbler drive | 2 |
| Bottom front -- PTO drive assm | 3 |
| Left front -- Auger & elevator drive trains | 4 |
| Rear -- tumbler rear drive & rear auger bearing | 5 |
| Left side -- unloading elevator parts | 6 |
| Model 250 & 340 8 bolt hub wheel assm | 7 |
| Model 430 8 bolt hub wheel assm | 8 |
| Model 430 10 bolt hub wheel assm | 9 |
| PTO drive line | 10 |
| Parts Listings | 11 - 16 |

SAFETY FIRST



FARM AND INDUSTRIAL EQUIPMENT INSTITUTE SAFETY SYMBOL

Most farm accidents, like industrial, home and highway accidents, are caused by the failure of some individuals to observe simple and fundamental safety rules or precautions. For this reason farm accidents, just as other types of accidents, can be prevented by recognizing the causes of accidents and doing something about them before an accident occurs.

Regardless of the care used in the design and construction of farm equipment, there are many points that cannot be completely safeguarded without interfering with accessibility and efficient operation.






A careful operator is the best insurance against an accident.

The complete observance of one simple rule would prevent many thousands of serious injuries each year: "NEVER ATTEMPT TO CLEAN, OIL, OR ADJUST A MACHINE WHILE IN MOTION!"

-----National Safety Council

BEFORE ATTEMPTING TO OPERATE YOUR NEW FEED MIXER BE SURE TO READ THIS OWNERS' MANUAL AND FAMILIARIZE YOURSELF WITH THE MACHINE!! OBSERVE THE FOLLOWING PRECAUTIONS FOR SAFE OPERATION OF THIS MACHINE!!

SAFETY TIPS

-  Keep Hands, Feet and Clothing away from all moving parts
-  DO NOT climb on or enter machine while in operation
-  DO NOT attempt to clean, oil or adjust machine while in motion
-  Properly ground all electrical applications
-  Keep ALL shields in place



Limited Guarantee and Warranty

FARM AID warrants all of its products for a period of one year from the date of sale to the customer by an authorized FARM AID agent or dealer. (Except electronic scales which are warranted by scale manufacturer)

This warranty provides that the equipment shall be free of factory defects in material and workmanship under normal use and service when set up and operated in accordance with factory instructions, or we will replace or repair at our factory any parts that our inspection shows to be defective.

Any parts returned must be returned freight prepaid through an authorized FARM AID dealer or agent.

This warranty shall not apply to component parts or accessories of products not manufactured by FARM AID and which carry the warranty of the manufacturer thereof or to normal maintenance or normal maintenance parts. FARM AID will assist in obtaining but does not guarantee satisfaction on such warranties.

ITEMS FOR WHICH FARM AID IS NOT RESPONSIBLE

FARM AID shall not be liable for consequential or incidental damages including damages for the loss of dairy or livestock production, or delay in harvesting crops, or for expenses for labor, supplies, substitute machines and the like. Nor shall FARM AID furnish parts for products which have been negligently handled, misused, or altered.

FARM AID does not warrant and shall not be liable for loss or damage arising from shipping or storage; improper installation, use or maintenance; acts of the FARM AID dealer, purchaser, or others not employed by FARM AID; design, modification and installation procedures not approved in writing by FARM AID; acts of God; or other circumstances beyond its reasonable control.

The above warranty does not apply to, and FARM AID makes no warranty in connection with motors, trucks, truck components, attachments or other trade accessories which are not manufactured by it.

THIS WARRANTY IS EXPRESSLY IN LIEU OF ANY OTHER WARRANTIES EXPRESSED OR IMPLIED, INCLUDING ANY IMPLIED WARRANTIES OF MERCHANTABILITY OR FOR A PARTICULAR PURPOSE AND FARM AID NEITHER ASSUMES NOR AUTHORIZES ANY OTHER PERSON TO ASSUME FOR IT ANY OTHER LIABILITY. THERE ARE NO WARRANTIES WHICH EXTEND BEYOND THE DESCRIPTION ON THE FACE HEREOF.

We reserve the right to make improvements to any of our products without notice or obligation regarding models previously sold.

Feed Mixer Wagon Models 250, 340 and 430

Maintenance

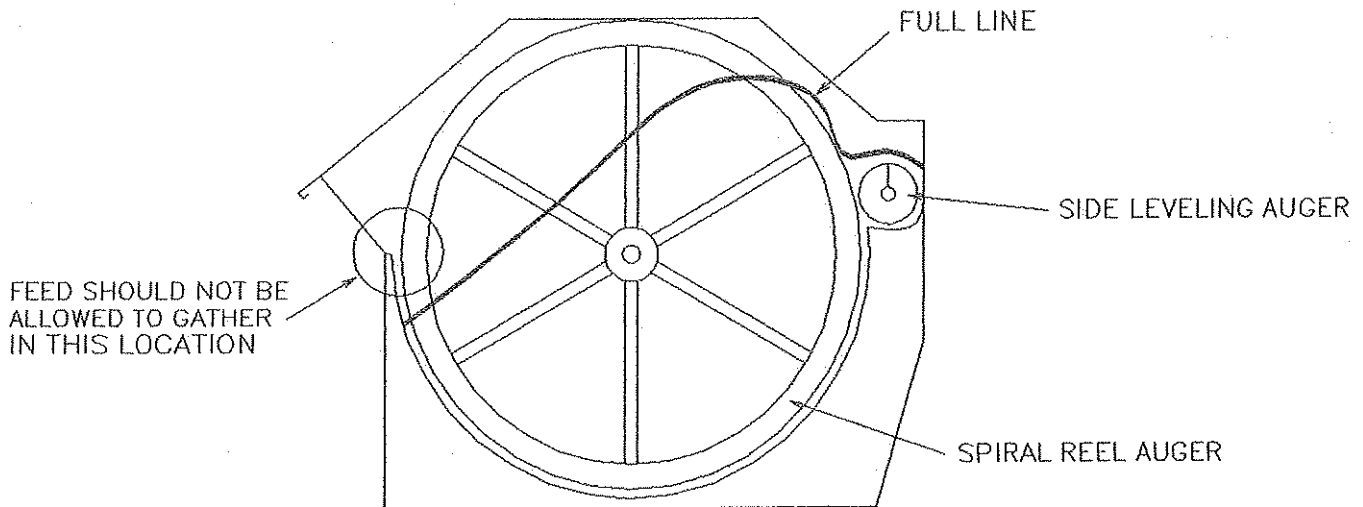
Lubrication:

Chains -- Oil once a week or every 30 hours use.

PTO joints -- Grease once a week
 3 on PTO shaft
 2 on side drive shaft
 2 on elevator drive shaft

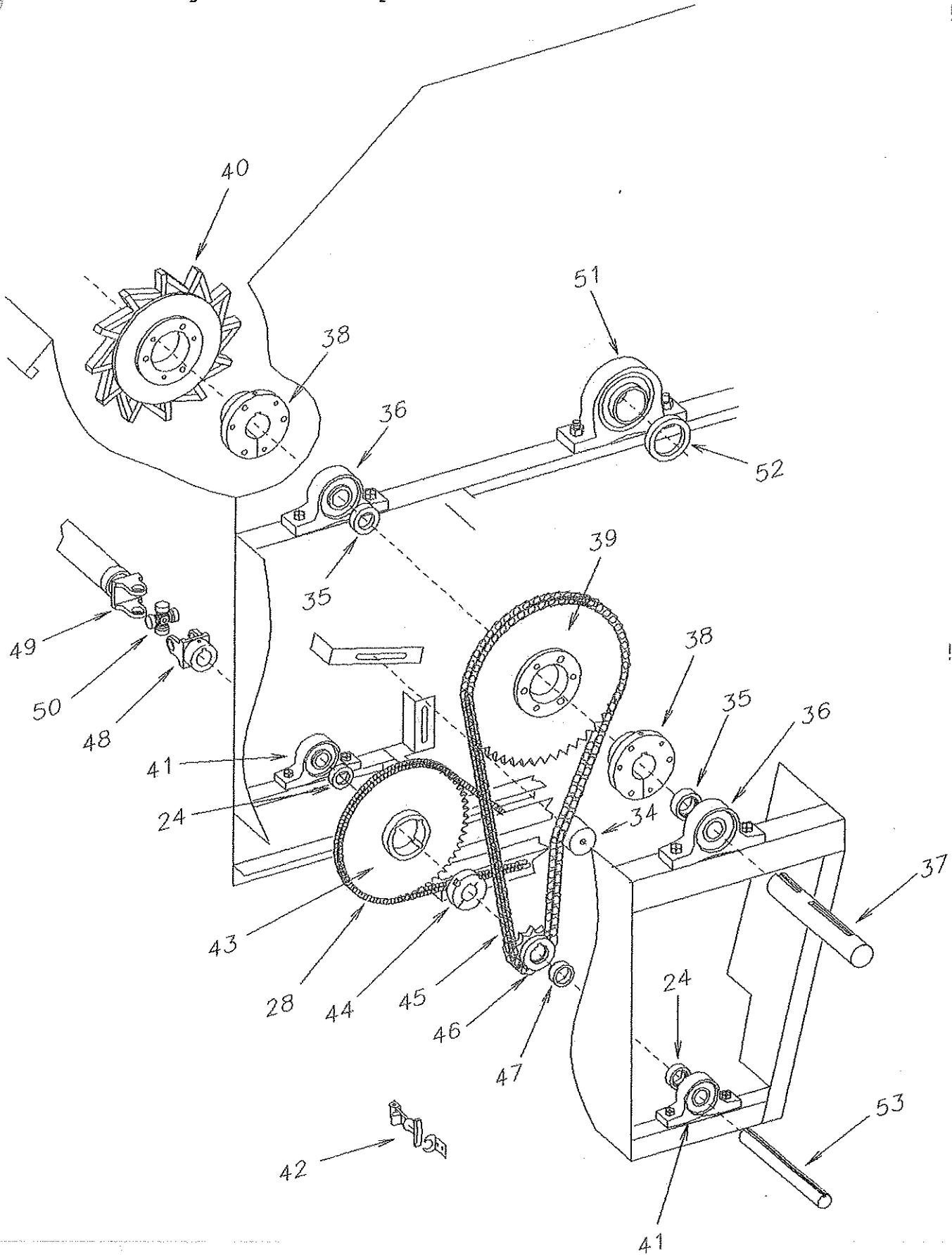
Bearings -- 2 pumps with grease gun every 120 hours use.

Wheel bearings -- Grease once a month to keep hubs filled with new grease. Begin at end of first month (Bearings are packed at factory but hubs have not been filled).

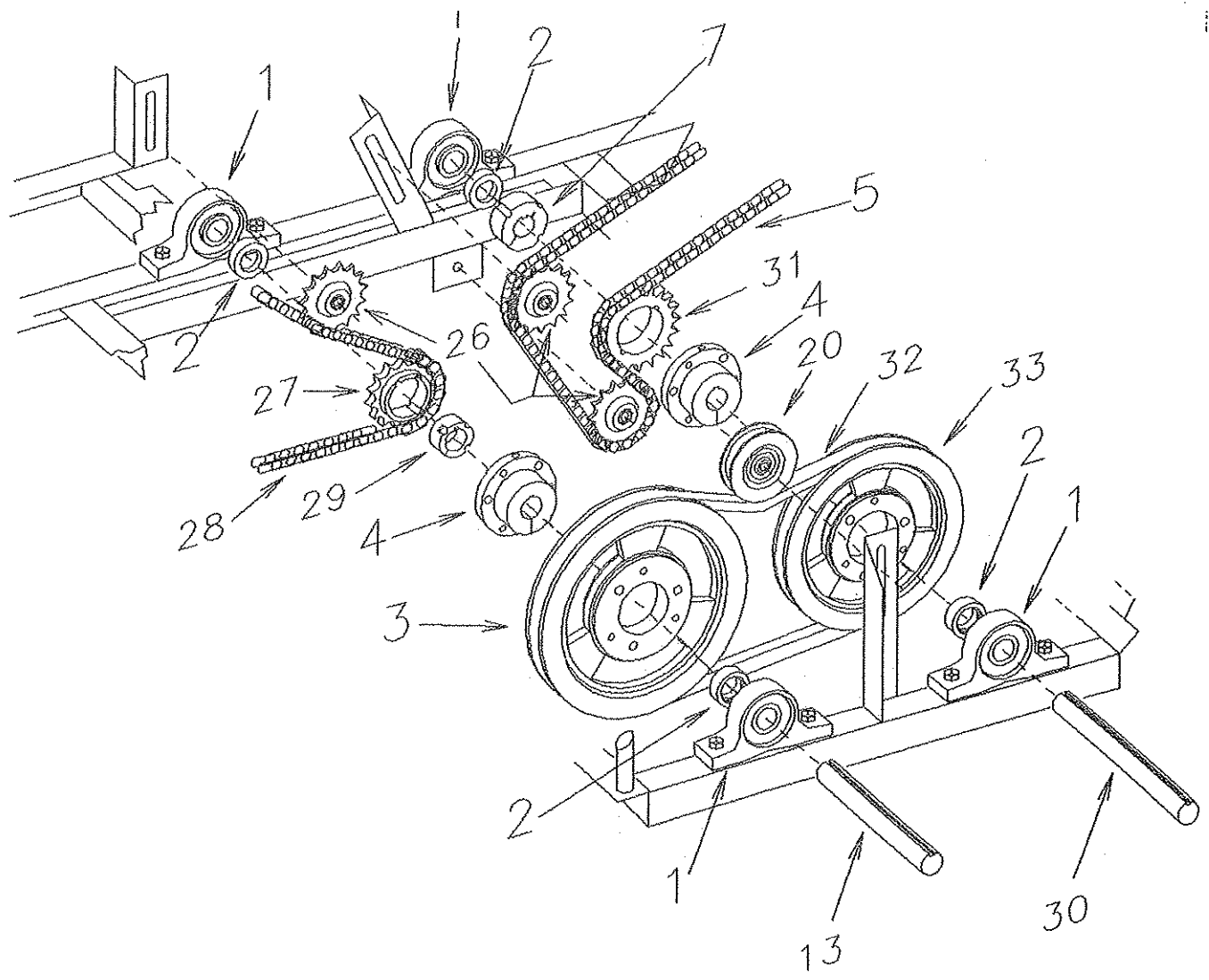


CAUTION: Overloading mixer above full line may result in poorly mixed ration and/or premature failure of the mixer!

FARM AID MFG
Right Front -- Speed reduction and tumbler drive

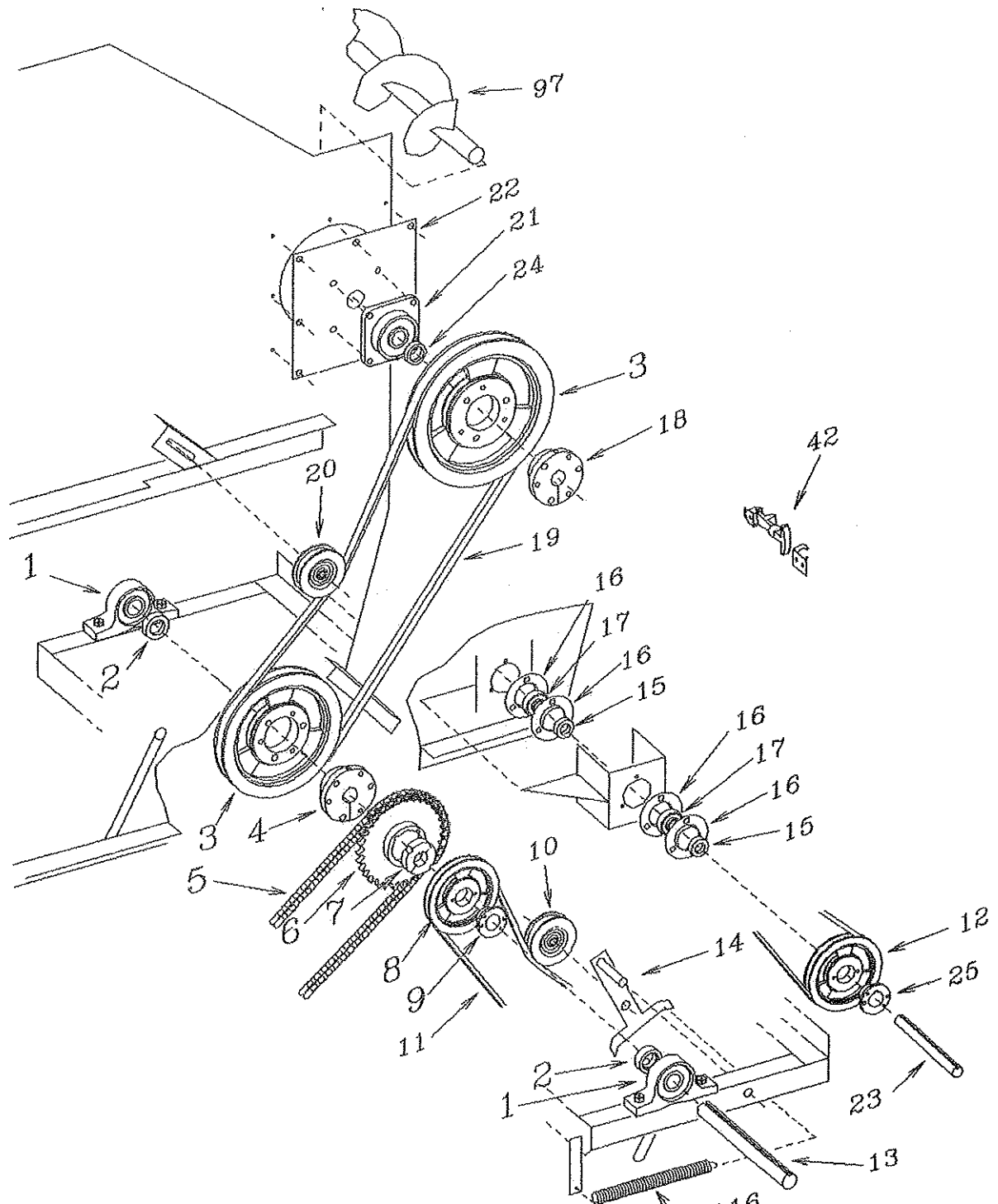


FARM AID MFG
Bottom front -- PTO drive assm



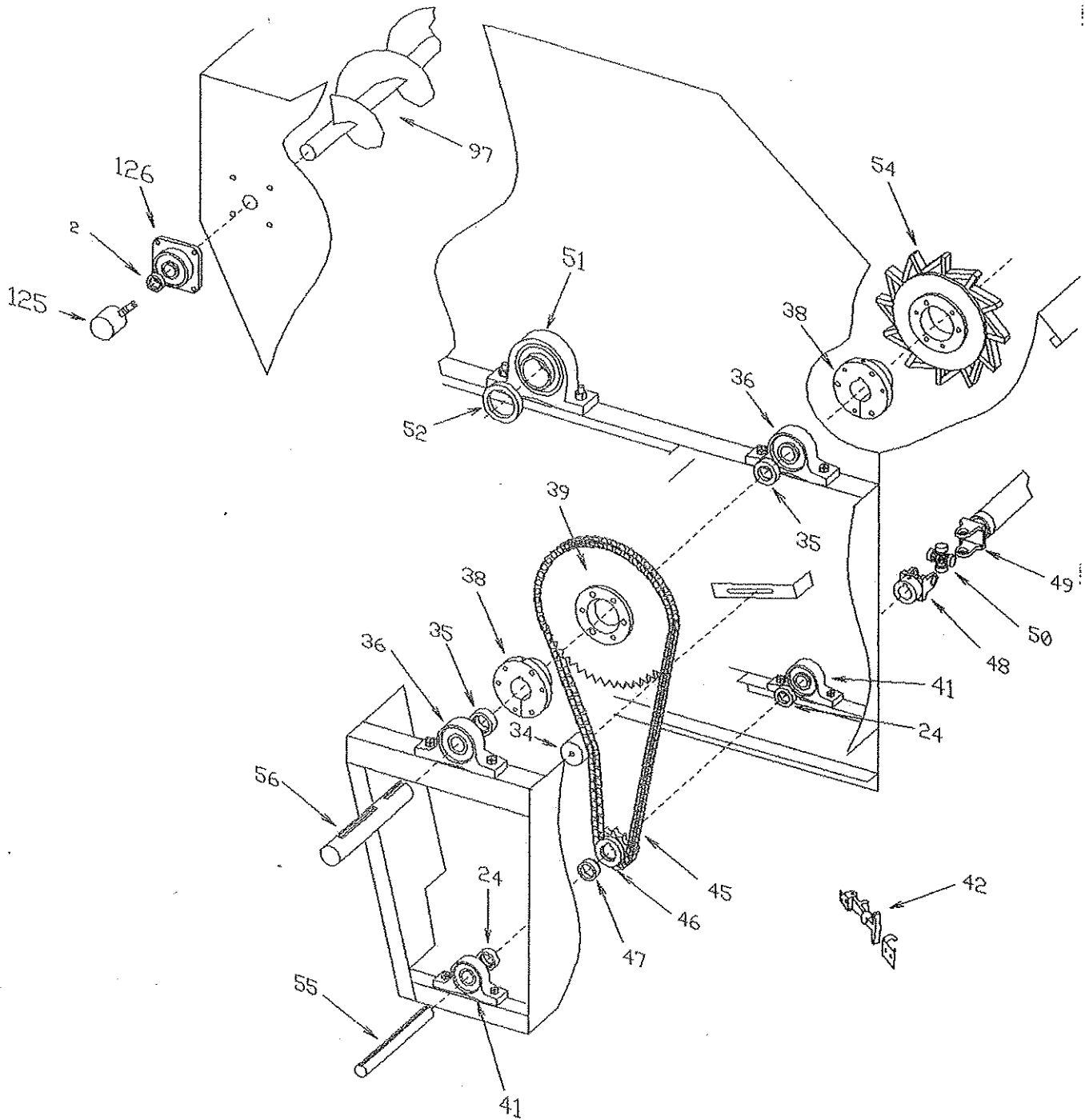
FARM AID MFG
 Left Front -- Auger & Elevator Drive Trains

(for models with hay chopper attachment see note below)

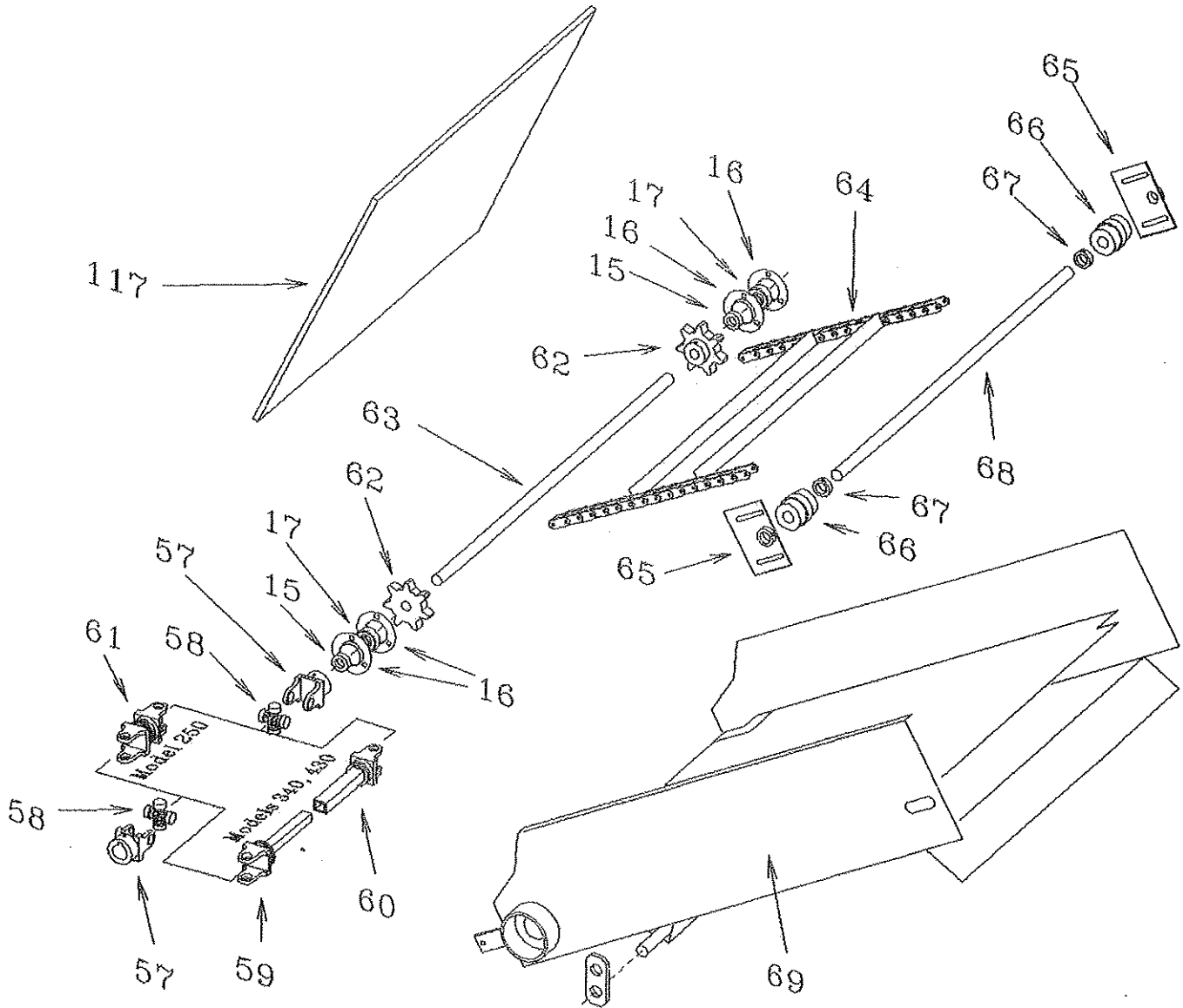


NOTE: On models with hay chopper attachment items 3 are double pulleys and item 20 is a double idler, not single as shown.

FARM AID MFG
Rear view -- tumbler rear drive



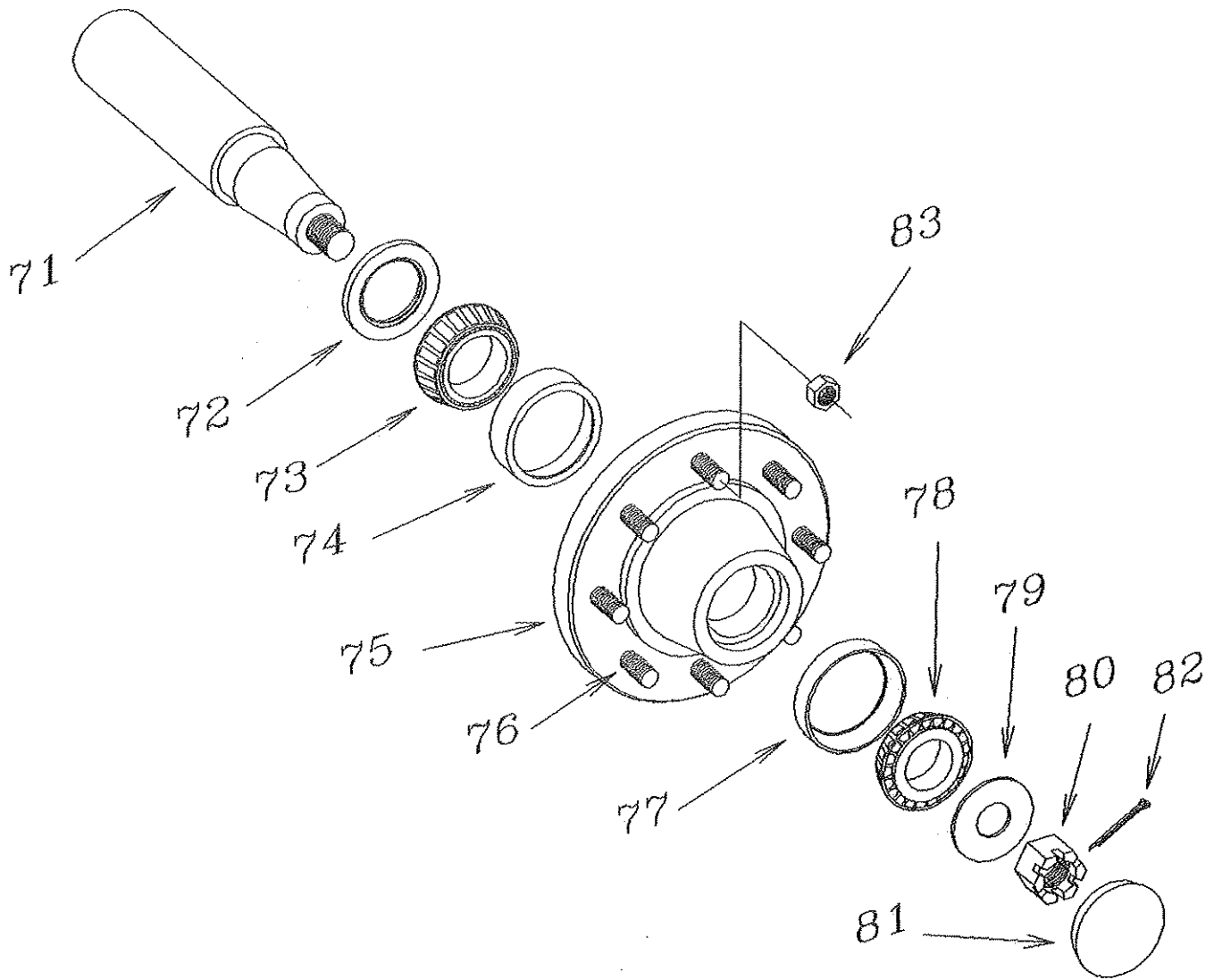
FARM AID MFG
Left side -- Elevator parts



FARM AID MFG
8 Bolt Hub Assembly

-7-

as used on Models 250 & 340

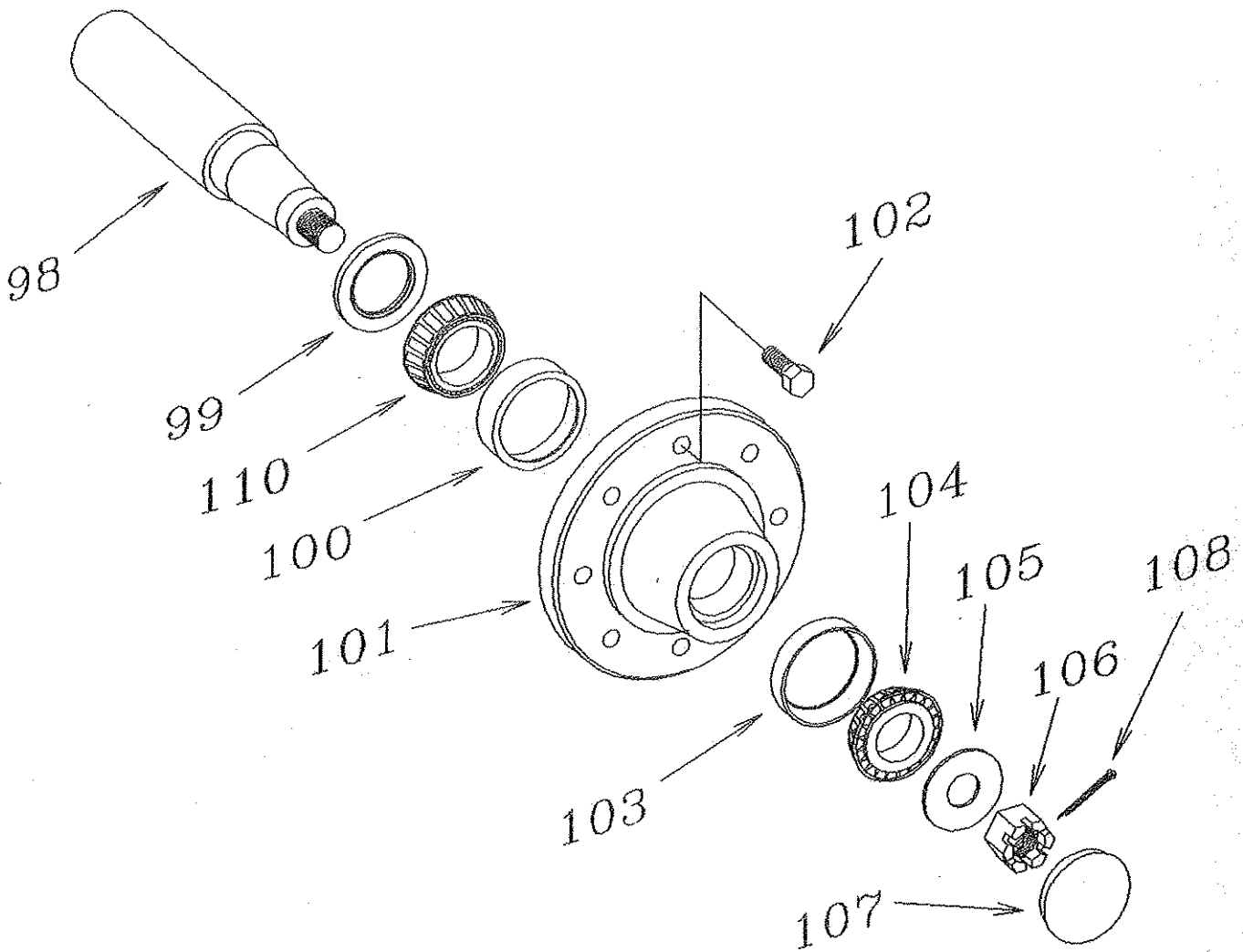


- 94 -- Complete hub assm
- 95 -- Wheel, 8 bolt

FARM AID MFG
8 Hole Hub Assembly

-8-

as used on model 430
(for model 430 with 10 bolt hub assembly see page 9)

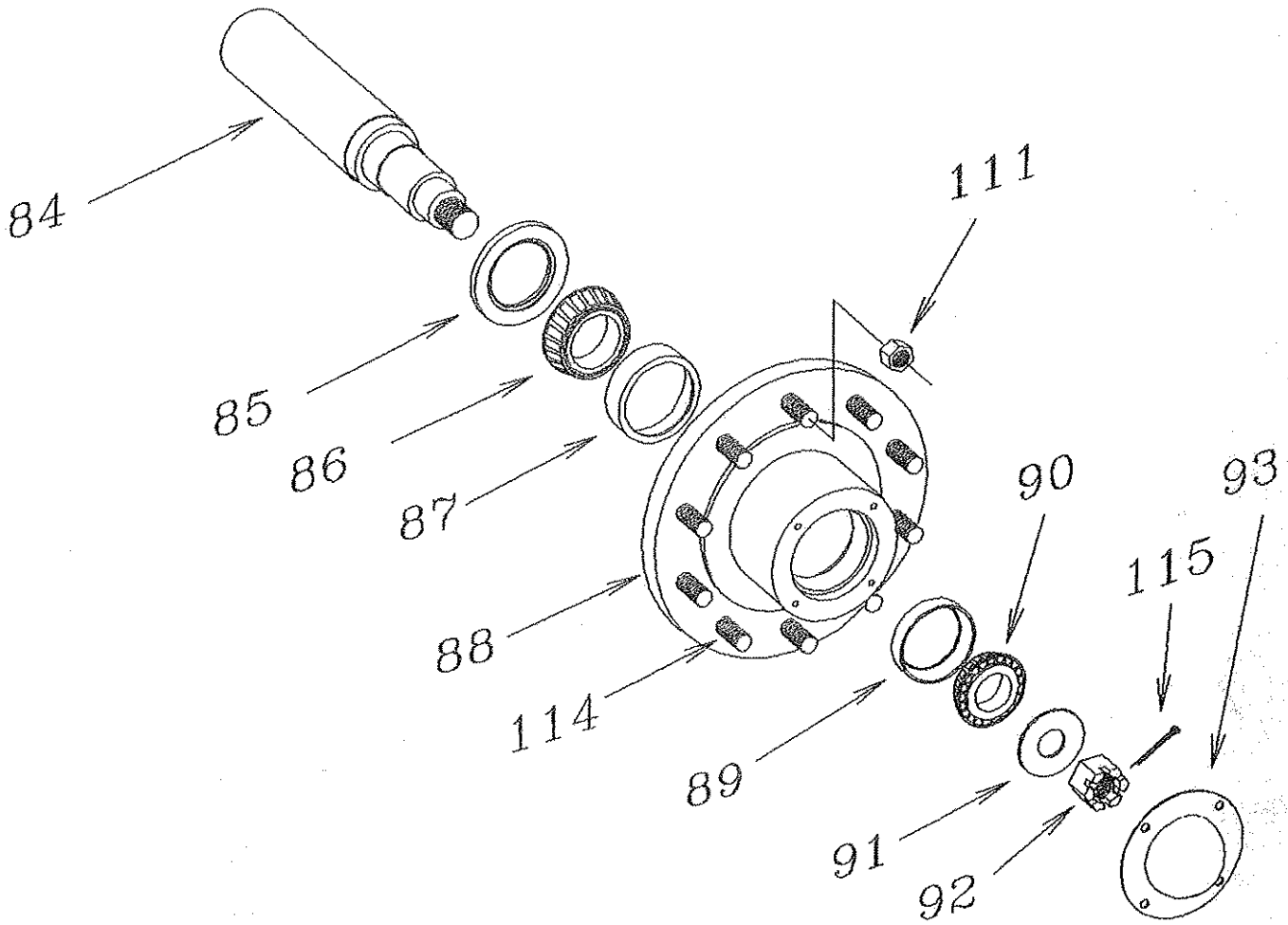


109 -- Complete hub assm
113 -- Wheel, 8 bolt

FARM AID MFG
10 Bolt Hub Assembly

- 9 -

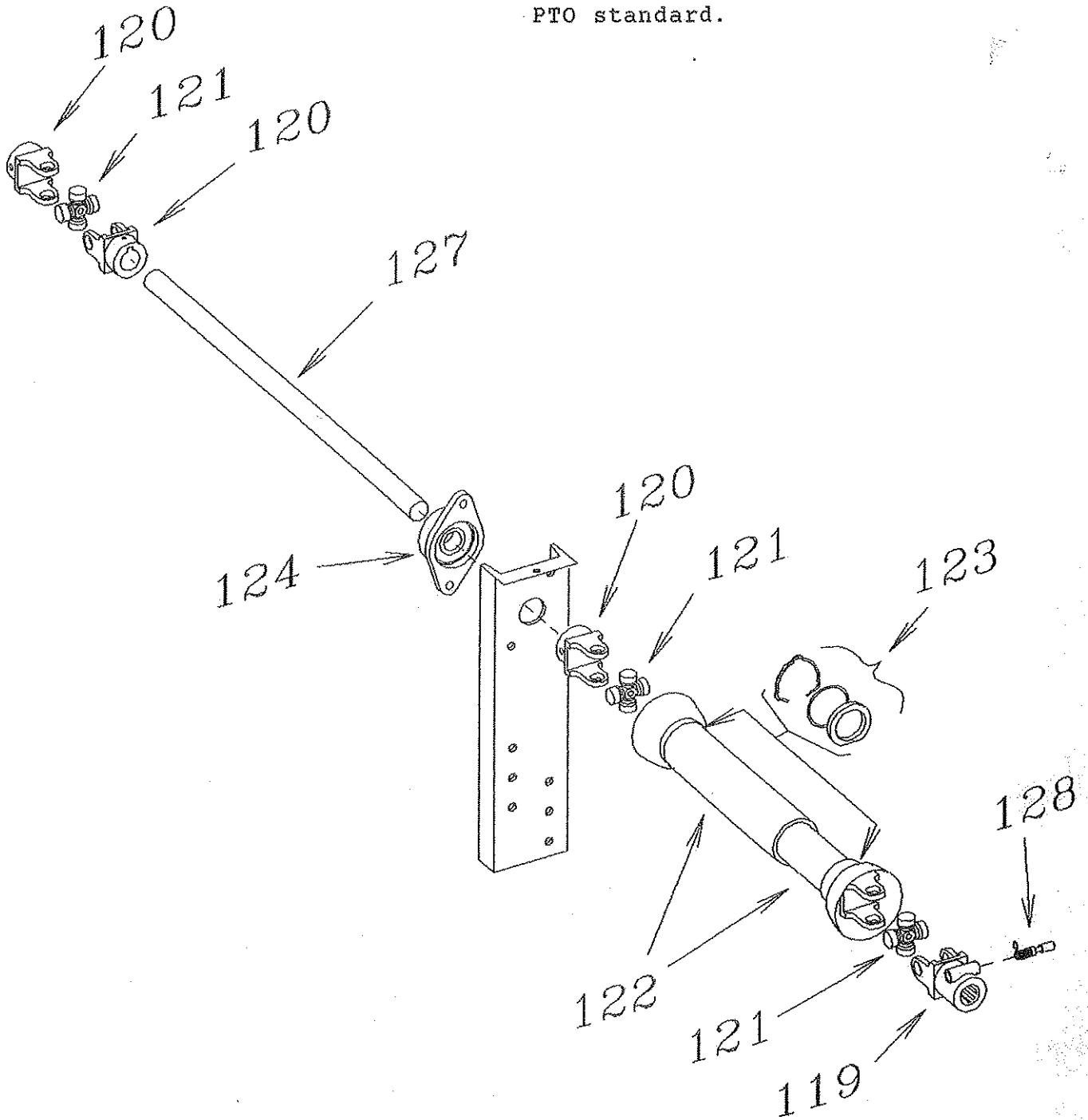
as used on Model 430
(for Model 430 with 8 hole hub assembly see page 8)



112 -- Complete hub assm
96 -- Wheel, 10 bolt

PTO drive line

Item 118 - Complete PTO includes all parts in illustration forward of the PTO standard.



| <u>Item</u> | <u>Part No.</u> | <u>Description</u> |
|-------------|--------------------|--|
| 1 | FA101PB FA101IN | 1 1/4" Pillow Block, Complete 1 1/4" Insert Only |
| 2 | FA101LC | 1 1/4" Lock Collar |
| 3 | FA312 FA322 | 1C 12.0 Pulley Double pulley |
| 4 | FA312B | QD-SF Bushing, 1 1/4" |
| 5 | FA313 | 60 Chain, 96" W/ Connector |
| 6 | FA205A | 6032 Taper Lock Sprocket |
| 7 | FA205B | 2012 Taper Lock Bushing X 1 1/4" |
| 8 | FA326 | 1 Groove B Belt 6 1/2" Pulley |
| 9 | FA326BU | QD-H Bushing, 1 1/4" |
| 10 | FA330B | Idler Pulley, B Belt |
| 11 | FA361E | Elevator Drive Belt, BP61 |
| 12 | FA327 | 1 Groove B Belt Pulley, 7" |
| 13 | FA402A | Shaft, 1 1/4" X 10 1/2" |
| 14 | FA331 | Tightener Arm Assm. |
| 15 | FA107LC | 7/8" Lock Collar |
| 16 | FA107-3F | 52MS 3 Bolt Flangettes |
| 17 | FA107 | 7/8" Bearing |
| 18 | FA312FA | QD-SF Bushing, 1 1/2" |
| 19 | FA396A | Auger Drive Belt, CX96 |
| 20 | FA330C FA330CD | Single Idler Pulley, C Belt Double Idler Pulley when 2 belts are used |
| 21 | FA102FB-4 | 1 1/2" 4 Bolt Flange Block |
| 22 | FA314 | Bearing Mounting Plate |
| 23 | FA405E | Elevator Drive Shaft, 7/8" X 11" |
| 24 | FA102LC | 1 1/2" Lock Collar |
| 25 | FA331BU | QD-H Bushing, 7/8" |

| Item | Part No. | Description |
|------|----------|----------------------------------|
| 26 | FA210 | 6015 Idler Sprocket |
| 27 | FA201M | 6015 Taper Lock Sprocket |
| 28 | FA214-60 | 5' 60 Chain w/Connector |
| 29 | FA201B | 1610 X 1 1/4 Taper Lock Bushing |
| 30 | FA401 | PTO Shaft 1 1/4" X 13 1/2" |
| 31 | FA202A | 6020 Taper Lock Sprocket |
| 32 | FA360M | CX 60 Belt, Mixer Drive |
| 33 | FA310 | 1C 10.0 Pulley |
| 34 | FA340 | Plastic Idler |
| 35 | FA103LC | 2 3/16 Locking Collar |
| 36 | FA103PB | 2 3/16 Pillow Block, w/bearing |
| | FA103PBO | 2 3/16 Pillow Block Only |
| | FA103IN | 2 3/16 Bearing Only |
| 37 | FA404FF | Shaft, 2 3/16 X 14" |
| 38 | FA212TH | 2 3/16 E Series Hub |
| 39 | FA208 | 8048 Sprocket |
| 40 | FA212F | Front Spider |
| 41 | FA102PB | 1 1/2 Pillow Block, w/bearing |
| | FA102IN | 1 1/2 Bearing Only |
| 42 | FA001 | Shield tie, complete |
| | FA002 | Shield tie, rubber only |
| 43 | FA206S | 6054 Sprocket |
| 44 | FA206H | 2517 Taper Lock Hub |
| 45 | FA214-80 | 81" 80 Chain plus Connector |
| 46 | FA207S | 8011 Sprocket |
| 47 | FA207E | Eccentric Lock for 8011 Sprocket |
| 48 | FA406S | 14 Series 1 1/2 Yoke |
| 49 | FA407S | 14 Series Yoke Tube Weld |
| 50 | FA408S | 14 Series Cross & Bearing Kit |

| <u>Item</u> | <u>Part No.</u> | <u>Description</u> |
|-------------|-----------------|---------------------------------------|
| 51 | FA104PB | 2 15/16 Pillow Block, w/bearing |
| | FA104PBO | 2 15/16 Pillow Block Only |
| | FA104IN | 2 15/16 Bearing Only |
| 52 | FA104LC | 2 15/16 Locking Collar |
| 53 | FA403FS | Shaft, 1 1/2" X 13" |
| 54 | FA212R | Rear Spider |
| 55 | FA403BS | Shaft, 1 1/2" X 12" |
| 56 | FA404BF | Shaft, 2 3/16" X 13" |
| 57 | FA501 | 6 series 7/8" yoke |
| 58 | FA505 | 6 series cross & bearing kit |
| 59 | FA503B | Yoke & shaft for Model 340 |
| | FA503C | Yoke & shaft for Model 430 |
| 60 | FA504B | Yoke & tube for Model 340 |
| | FA504C | Yoke & Tube for Model 430 |
| 61 | FA502 | Double yoke for Model 250 |
| 62 | FA562 | 762 Sprocket, 7/8" bore |
| 63 | FA510 | shaft, 7/8" X 41" |
| 64 | FA524 | Complete chain, 4 ft elevator |
| | FA525 | Complete chain, 5 ft elevator |
| | FA515 | Chain slat w/links |
| | FA516 | Chain link, single with pins |
| | FA516LH | Left hand attachment link |
| | FA516RH | Right hand attachment link |
| 65 | FA512 | Upper elev shaft mounting plate |
| 66 | FA513 | Upper elev idler roller |
| 67 | FA514 | 1" set collar |
| 68 | FA511 | shaft, 1" X 38" |
| 69 | FA534 | Elevator weldment, 4 ft elevator |
| | FA535 | Elevator weldment, 5 ft elevator |
| 70 | FA544 | Complete elevator assm incl chain, 4' |
| | FA545 | Complete elevator assm incl chain, 5' |
| 71 | FA600 | Spindle, 2 3/4" for models 250 & 340 |
| 72 | FA601SE | Seal for models 250 & 340 |

| <u>Item</u> | <u>Part No.</u> | <u>Description</u> |
|-------------|-----------------|---|
| 73 | FA601IB | Inner cone(bearing) for model 250 & 340 |
| 74 | FA601IR | Inner cup (race) for models 250 & 340 |
| 75 | FA601 | Hub, 8 on 8 X 6 w/cups models 250 & 340 |
| 76 | FA601HB | Hub bolts(studs), 8 used, models 250 & 340 |
| 77 | FA601OR | Outer cup (race), for models 250 & 340 |
| 78 | FA601OB | Outer cone (bearing) for models 250 & 340 |
| 79 | FA600W | Spindle Washer for models 250 & 340 |
| 80 | FA600N | Spindle Nut, models 250 & 340, 1" 14 thread |
| 81 | FA601HC | Hub cap for models 250 & 340 |
| 82 | FA600K | Split key for models 250 & 340 |
| 83 | FA601WN | Wheel Nut, 8 used for models 250 & 340 |
| 84 | FA620 | Spindle for model 430 w/10 bolt hub |
| 85 | FA621SE | Seal for model 430 w/10 bolt hub |
| 86 | FA621IB | Inner bearing for model 430 w/10 bolt |
| 87 | FA621IR | Inner race for model 430 w/10 bolt hub |
| 88 | FA621 | Hub, 10 bolt with cups |
| 89 | FA621OR | Outer race for model 430 w/10 bolt hub |
| 90 | FA621OB | Outer bearing for model 430 w/10 bolt |
| 91 | FA620W | Spindle Washer for model 430 w/10 bolt hub |
| 92 | FA620N | Spindle Nut for model 430 w/10 bolt hub |
| 93 | FA621HC | Hub cap for 10 bolt hub |
| 94 | FA602CA | Complete hub assm for models 250 & 340 |
| 95 | FA616WH | Wheel, C11 X 16.1 X 8 |
| 96 | FA622WH | Wheel, 13.5 X 22.5 X 10 |
| 97 | FA709 | Auger for model 250 |
| | FA712 | Auger for model 340 |
| | FA715 | Auger for model 430 |
| 98 | FA610 | Spindle for model 430 with 8 bolt hub |

| <u>Item</u> | <u>Part No.</u> | <u>Description</u> |
|-------------|-----------------|--|
| 99 | FA611SE | Seal for model 430 w/8 bolt hub |
| 100 | FA611IR | Inner cup(race), model 430 w/8 bolt |
| 101 | FA611 | Hub, 8 on 8 X 6 w/cups model 430 w/8 bolt |
| 102 | FA611WB | Wheel bolts, 8 used, model 430 w/8 bolt hub |
| 103 | FA611OR | Outer cup (race) for model 430 w/8 bolt hub |
| 104 | FA611OB | Outer cone(bearing), model 430 w/8 bolt hub |
| 105 | FA610W | Spindle washer, model 430 w/8 bolt hub |
| 106 | FA610N | Spindle Nut, model 430 w/8 bolt hub, 1 1/4" |
| 107 | FA611HC | Hub cap for model 430 w/8 bolt hub |
| 108 | FA610K | Split key for model 430 w/8 bolt hub |
| 109 | FA612CA | Complete hub assm for model 430 w/8 bolt hub |
| 110 | FA611IB | Inner cone(bearing), model 430 w/8 bolt hub |
| 111 | FA621WN | Wheel nut for model 430 w/10 bolt hub |
| 112 | FA622CA | Complete hub assm, model 430 w/10 bolt hub |
| 113 | FA620WH | Wheel, C8 X 20 X 8 |
| 114 | FA622HB | Hub bolt for model 430 w/10 bolt hub |
| 115 | FA620K | Split key for model 430 w/10 bolt hub |
| 116 | FA331S | Spring, Elevator drive tightener |
| 117 | FA350 | Plastic unloading door |
| 118 | FA412 | Complete PTO, 12 series X 28" |
| 119 | FA413 | 6 spline 1 3/8 pin type yoke |
| 120 | FA414 | 1 1/4 Round yoke, 12 series |
| 121 | FA415 | Cross & bearing kit, 12 series |
| 122 | FA416 | Plastic PTO shield |
| 123 | FA416BK | Shield bearing kit (2 used) |
| 124 | FA101FB-2 | 1 1/4" 2 bolt flange block |
| 125 | FA430SH | Rear auger shaft shield |

| <u>Item</u> | <u>Part No.</u> | <u>Description</u> |
|-------------|-----------------|--------------------------------------|
| 126 | FA101FB-4 | 1 1/4" 4 bolt flange block |
| 127 | FA401E | 1 1/4" X 31 3/4" PTO extension shaft |
| 128 | FA417 | PTO snap hitch pin kit |

